

Electric Gate Lock

Part Number 070510

Installation Manual

The Electric Gate Lock works with an automatic gate opener to securely lock the gate into position without having to get out of your vehicle. The Electric Gate Lock is wired into the gate opener control box, so that when an input device such as a transmitter or keypad is used to open the gate, the gate lock disengages and the gate will open. When the gate closes, the gate lock automatically engages to secure the gate in the closed position.

The USAutomatic Electric Gate Lock provides an extra level of protection.

In addition to protection, the gate lock also provides stability by securely locking the gate into position thereby minimizing damages caused from sources such as wind force. The result is the gate and automatic gate opener will stay in excellent working condition for a much longer time.

The USAutomatic Electric Gate Lock Assembly works with most types of gates and mounting applications.

NOTE: In order for the USAutomatic Electric Gate Lock to work properly, the gate must close firmly against the stop gate post or closed position stop plate. To achieve the desired closed position, you may need to slightly adjust the gate opener closed limit set points. Instructions for adjusting the closed limit set points are included in your automatic gate opener manual.

IMPORTANT: THIS LOCK IS DESIGNED FOR 12VDC CONTROL SYSTEMS.
PLEASE NOTE OPERATING VOLTAGE IS 10VDC TO 14VDC

Electric Gate Lock Part Number 070510 Technical Information

| | |
|--|---|
| Operating Voltage | 10 vdc to + 14 vdc |
| Nominal Activation Current | < 250 milli amps |
| Duty Cycle | Intermittent |
| Construction | Steel Powder Coated Black Housing |
| Locking Mechanism | Spring Loaded Self-Latching |
| Min Recommended Supply Voltage Wire Gauge | 18 gauge / .8 mm ² |
| Emergency Release Type | Removable Strike Pin |
| Installation Type | Bolt or Weld On Brackets |
| Periodic Service Recommendation - Every 6 Months | Lube Strike Pin Lightly With Lithium Grease |
| Temperature Range | -22F to 185F |
| Shipping Weight | 10 lbs / 4.53 kilograms |

PLEASE READ THE ENTIRE MANUAL PRIOR TO INSTALLATION.

PARTS INVENTORY

① **Lock Housing**
Part # 070660

② **Lock Mounting Bracket**
Part # 070670

③ **Strike Bracket**
Part # 070680

④ **Strike Pin with Clip**
Part # 610516

⑤ **3/8" X 2" Carriage Bolts**
Part # 610508
4 per

⑥ **3/8 x 4" Carriage Bolts**
Part # 610506
2 per

⑦ **3/8 x 6" Carriage Bolts**
Part # 610504
2 per

⑧ **3/8" Lock Nuts**
Part # 610502
8 per

⑨ **1/8" Allen Wrench**
Part # 610500

⑩ **7/8" Rubber Plugs**
Part # 610501
2 per

⑪ **Wire Nut** (not shown)
Part # 620018
2 per



GENERAL TOOL REQUIREMENTS

Tools required for most installations:

- Wrench – 9/16 inch
- Drill
- Pliers
- Hack saw
- Socket 9/16 inch
- Drill bits 1/8 and 3/8 inch
- Level
- Tape measure

Welding is the recommended method of securing the lock mounting plate and the strike bracket to the gate and hinge post. The Lock Housing should NEVER be welded. Internal parts can be damaged by excessive heat. Bolt on brackets are provided and are acceptable but may require frequent service to keep tight. They must be very securely attached (i.e. carriage bolts with lock nuts and washers).

IMPORTANT CAUTIONS:

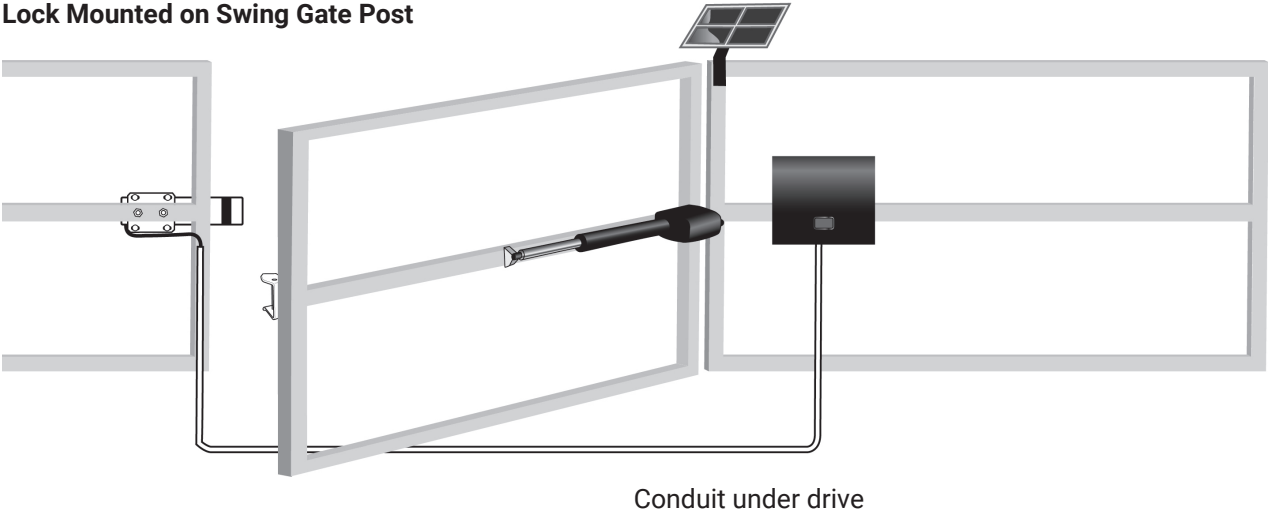
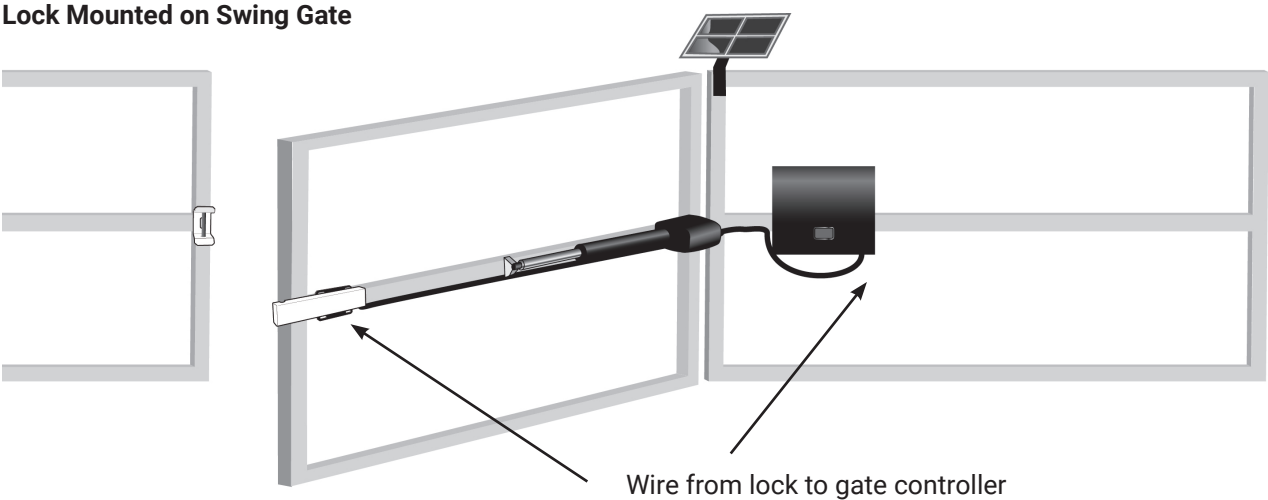
During testing and operation, keep hands and fingers clear of moving parts of lock, gate and gate opener to avoid injury. Always wear protective eye wear during installation.

INSTALLATION EXAMPLES

These are the basic mounting instructions as there are many variations in gates, sizes and types. The Electric Gate Lock will adapt to almost any gate installation.

HORIZONTAL SWING GATE MOUNT

(Horizontal Mounting of Lock on Swing Gate with Pull to Open Swing Gate Opener)



INSTALLATION

IMPORTANT! Prevent Water Damage

1. Always use the bottom wiring port when routing the wires into the lock.
2. If mounting the lock vertically, the strike pin must be at the bottom and pointed downward.

Read and follow ALL instructions.

- 1 With a level, draw a horizontal line across center of fence rail and continue across to receptor post. Then draw a vertical line down the center of the receptor gate post creating a center reference point (+).
- 2 On receptor post, measure and mark vertical center line $\frac{3}{8}$ " above reference point (+) and $\frac{3}{8}$ " below reference point (+). Then on fence rail, horizontally measure and mark $6\frac{3}{4}$ " and $9\frac{1}{4}$ " from reference point (+) along horizontal line on fence rail.
- 3 Check measurements. If welding, use these reference points to locate the lock mounting bracket and strike bracket. If bolting, center punch these marks and drill pilot holes using $\frac{1}{8}$ " bit. (Fig A) Using a long $\frac{3}{8}$ " drill bit, and using the pilot holes as your guide, drill holes completely through post and fence rail (taking care to be as level and true as possible).
- 4 Mount the strike bracket without the strike pin to the receptor post using the two 6" carriage bolts and lock nuts supplied (to allow for adjustment, do not tighten completely). (Fig B)
- 5 Now install the lock mounting bracket on the center of the gate rail using the 4" carriage bolts and lock nuts supplied (again, do not tighten completely). (Fig B)
- 6 Before mounting the electric lock to the bracket, remove the bottom plug and the end cap (using the allen wrench supplied). Using the supplied wire nuts or approved connector, attach the Green (+) and Blue (-) wires to the wires leading to your gate opener control box. (Fig C)

Do not attach wires to operator yet!

- 7 Disconnect power to opener. On USAutomatic operators, remove motor plug(s) (X1 and X2) from control board.
- 8 Mount the Lock. Line up the holes on the mounting bracket with the four mounting holes on the lock body. Install the four 2" carriage bolts and tighten completely. You are now ready to test for binding. (Fig. D)
- 9 Disconnect opener arm from gate.

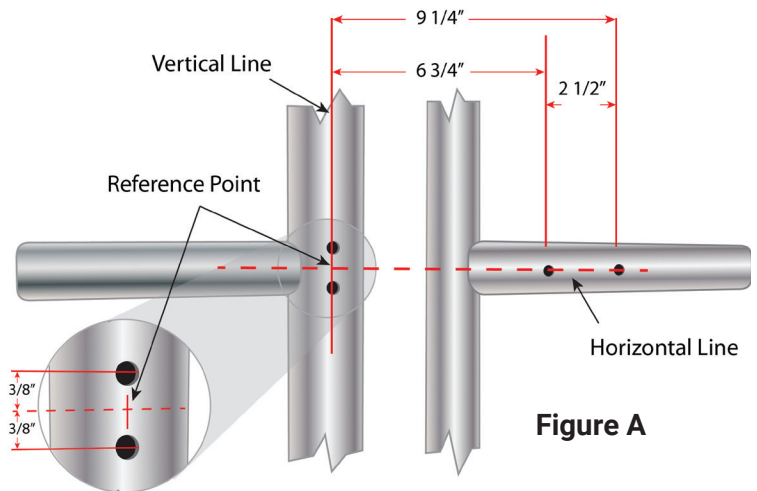


Figure A

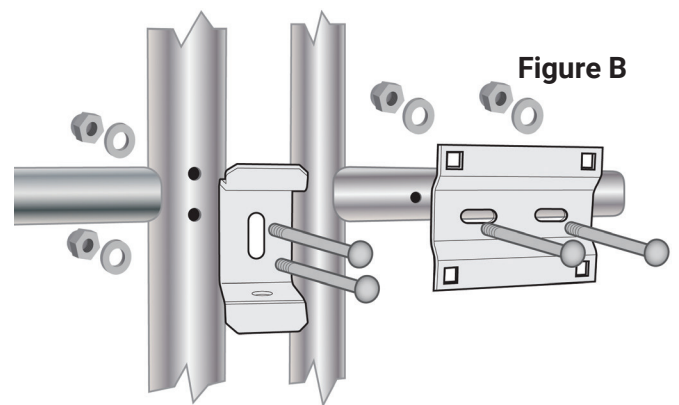


Figure B

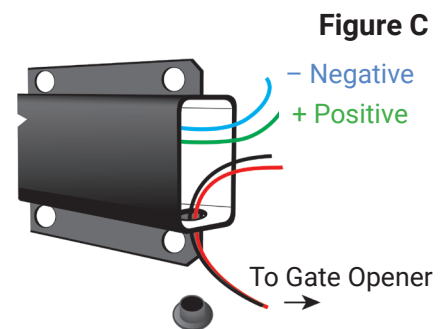


Figure C

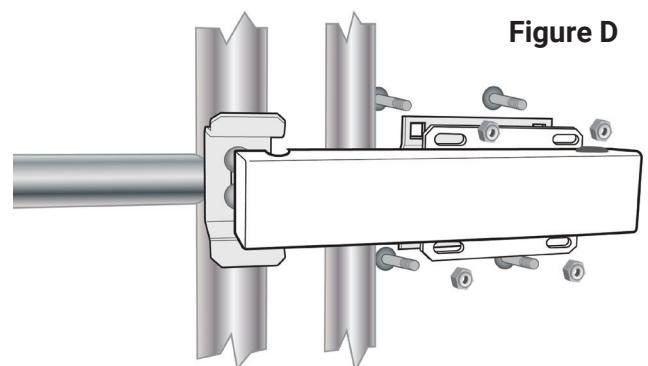


Figure D

- ⑩ Open and close gate by hand. If binding occurs, adjust the strike bracket and/or lock mounting bracket until the lock sits in the strike bracket without any binding. Check for alignment of strike pin with slot in the lock housing. (Fig. E) Fully tighten lock nuts on both brackets.

- ⑪ You are now ready to power the lock. Attach the two wires from the electric lock to those leading to the correct terminals on your operator board. (For USAutomatic openers, see Wiring Chart)

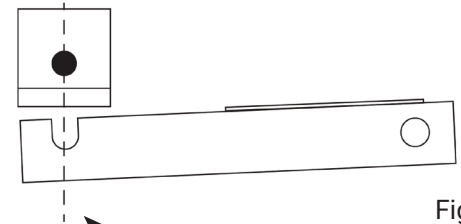


Figure E

When using the electric lock with other brands of gate openers, it is important to note that the lock is designed for 12vdc intermittent activation only. The electric lock only needs power upon opening. Power applied for extended periods of time will damage the electric lock.

Wiring Chart for USAutomatic Openers

NOTE: Control board wiring and switch settings can change. Verify wiring in the installation manual for the opener.

| Operator | Green Wire + | Blue Wire - | Switch |
|-------------|------------------|---------------|-------------|
| Patriot | J1 Solenoid Lock | Battery - Neg | DS2 #1 - On |
| Patriot RSL | J1 Solenoid Lock | Battery - Neg | DS2 #1 - On |
| Ranger | J8 Pin 3 | Battery - Neg | DS1 #5 - On |
| Sentry | J8 Pin 3 | Battery - Neg | DS1 #5 - On |

You are now ready to test the lock for proper operation with the opener.

IMPORTANT! Keep hands clear of any moving parts during powered operation or testing!

- ⑫ Re-connect operator arm.
- ⑬ Reconnect power to operator (motor plugs).
- ⑭ Activate the opener to open and visually observe lock to see if Lock Pin retracts during opening and extends during closing. **It is important that power is only applied during the opening cycle. All power to the electric lock should be off during the closing cycle or in the rest position.** If the lock retracts and extends properly, install strike pin with clevis clip or padlock.
- ⑮ Gate opener limit switches should be reset at this time, if necessary, to ensure proper lock closure. After all adjustments and tests have been completed, tighten nuts and cut off any excess bolt length.

The electric lock is now ready for full operation.

WARRANTY AND REPAIR INFORMATION

1 YEAR LIMITED WARRANTY

Limited Warranty Coverage

If your USAutomatic Electric Gate Lock, also referred to as the "Product", does not work properly due to a defect in materials or workmanship, USAutomatic will, for the length of 1 year, which begins on the date of the original purchase, at its option either (a) repair your Product with new or refurbished parts, or (b) replace it with a new or refurbished Product. The repair or replacement of the Product will be made free of charge including parts, shop labor, and return to customer shipping and handling.

In all cases, the decision to repair or replace will be made by USAutomatic. Included shop labor does not apply to removal or installation of the Product on purchaser's home or premises. Product must be shipped, at purchaser's expense, to USAutomatic during the applicable Warranty period. The Warranty excludes both parts and labor for cosmetic parts such as product housing and paint finishes. The Limited Warranty only applies to Products purchased in the United States and is extended only to the original purchaser of a new product that was not sold "as is" or as surplus.

Limited Warranty Service

For assistance in the continental U.S.A. in obtaining the benefit of the Limited Warranty please carefully follow these steps:

1. Contact USAutomatic customer service 1-888-204-0174. Please have the model number of the Product available to give to the customer service representative. The customer service representative will provide further assistance or authorize repair or replacement, as appropriate.
2. If repair or replacement is appropriate, you will be given a return authorization number (RMA#). This RMA# must be visible on all documents and packages returned to USAutomatic.
3. Carefully pack the defective Product or Product part in a sturdy shipping carton, include (1) a letter detailing the problem, (2) a daytime phone number where you can be reached, (3) your name and address for any return, (4) your sales receipt/proof of purchase, and (5) the RMA# on all correspondence and the shipping carton.
4. Prepay the freight and insure the defective Product or Product parts against shipping damage. Note that defective Products or Products parts shipped freight collect will not be accepted.
5. Ship the carton to USAutomatic, LLC, 170 Valley Ridge Blvd, Lewisville, Tx 75057, or where directed by the customer service representative.